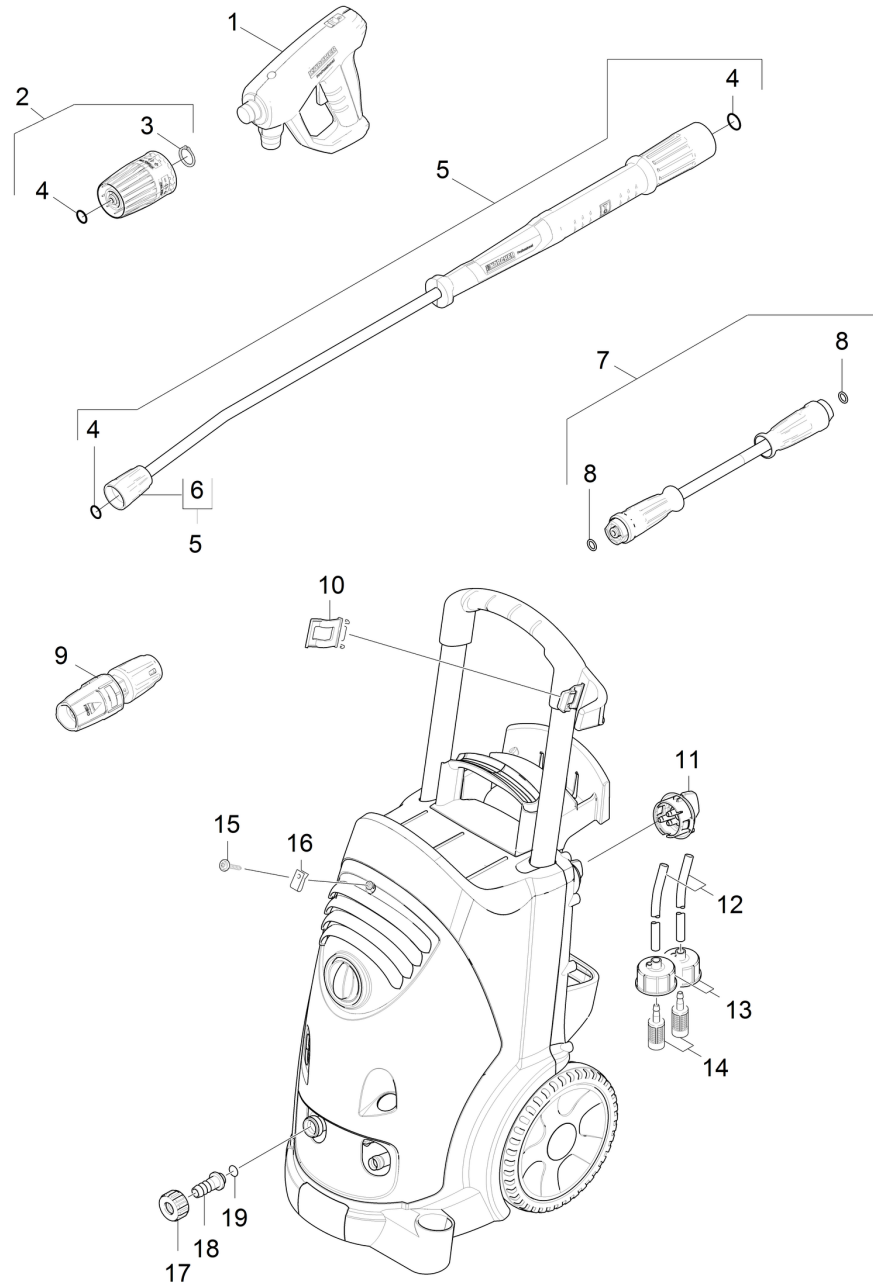


1030 Short spare parts list (1.524-924.3)

Professional \ High pressure cleaner cold water \ Electric motor \ HD 9/20-4 M *EU-I \ Short spare parts list



1030 Short spare parts list (1.524-924.3)

Professional \ High pressure cleaner cold water \ Electric motor \ HD 9/20-4 M *EU-I \ Short spare parts list



POS	Article no.	Description	Quantity	Unit	Foot note text
1	4.118-005.0	EASY!Force Advanced	1.000	ST	
2	4.118-008.0	Rotary controller TR 416L	1.000	ST	
3	7.343-069.0	Locking ring 25x1,2-1.4122 DIN 471	1.000	ST	
4	2.880-001.0	Spare part set seals TR	3.000	ST	
5	4.112-000.0	Jet pipe TR 1050 mm	1.000	ST	
6	4.112-011.0	Protection part TR only for replacement	1.000	ST	
7	6.110-031.0	Hose assembly TR rotatable DN8 31,5MPa 1	1.000	ST	
8	2.880-154.0	O-Ring kit	1.000	ST	
9	4.117-037.0	Triple jet nozzle TR 050	1.000	ST	
10	5.044-216.0	Holder	1.000	ST	
11	4.580-645.0	Proportioning valve chemistry	1.000	ST	
12	6.388-216.0	Hose DN 5	1.000	M	TO ORDER AS CUT GOODS
13	4.060-866.0	Cover cleaning agents complete	2.000	ST	
14	5.731-652.0	Filter with weight	2.000	ST	
15	6.304-099.0	Saucer-head screw M 6x 18-4.8-R2R	1.000	ST	
16	6.310-053.0	Putting nut	1.000	ST	
17	5.310-076.0	Nut	1.000	ST	
18	5.443-291.0	Hose stem	1.000	ST	
19	6.362-161.0	O-Ring seal 19,3 X 2,4	1.000	ST	