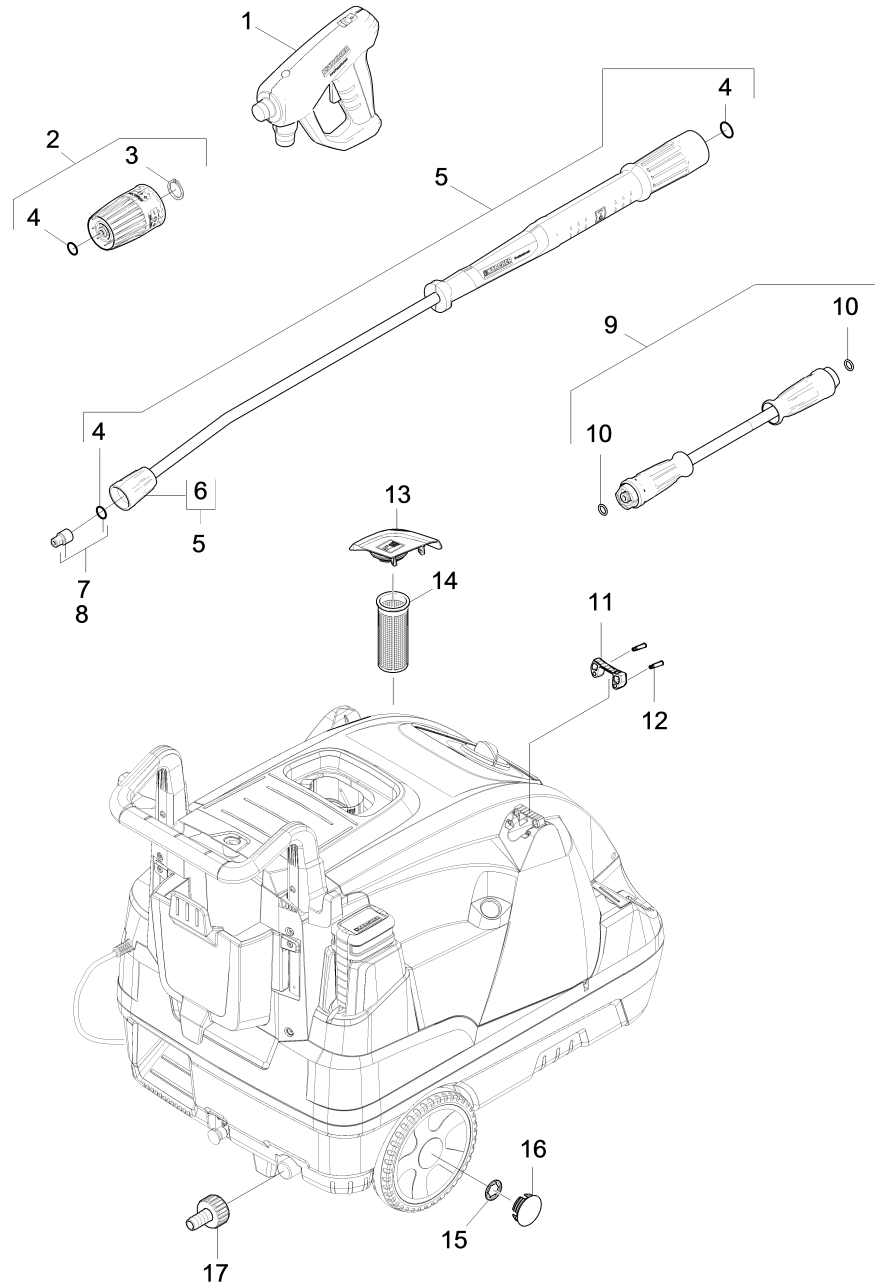


# 1030 Short spare parts list (1.173-900.3)

Professional \ High pressure cleaner hotwater \ Electric motor \ HDS 7/16 C \*EU-I \ Short spare parts list



## 1030 Short spare parts list (1.173-900.3)

Professional \ High pressure cleaner hotwater \ Electric motor \ HDS 7/16 C \*EU-I \ Short spare parts list



| POS | Article no. | Description                              | Quantity | Unit |
|-----|-------------|--|----------|------|
| 1   | 4.118-005.0 | EASY!Force Advanced                      | 1.000    | ST   |
| 2   | 4.118-009.0 | Rotary controller TR 700L                | 1.000    | ST   |
| 3   | 7.343-069.0 | Locking ring 25x1,2-1.4122 DIN 471       | 1.000    | ST   |
| 4   | 2.880-001.0 | Spare part set seals TR                  | 3.000    | ST   |
| 5   | 4.112-000.0 | Jet pipe TR 1050 mm                      | 1.000    | ST   |
| 6   | 4.112-011.0 | Protection part TR only for replacement  | 1.000    | ST   |
| 7   | 2.113-021.0 | Power nozzle TR 25040                    | 1.000    | ST   |
| 8   | 2.114-001.0 | Steam nozzle TR 40045                    | 1.000    | ST   |
| 9   | 6.110-035.0 | Hose assembly TR rotatable DN6 25MPa 10m | 1.000    | ST   |
| 10  | 2.880-154.0 | O-Ring kit                               | 1.000    | ST   |
| 11  | 5.424-162.0 | Fixing jet pipe                          | 1.000    | ST   |
| 12  | 5.314-143.0 | Pin fixing jet pipe                      | 2.000    | ST   |
| 13  | 4.064-021.0 | Cover fuel complete                      | 1.000    | ST   |
| 14  | 5.731-039.0 | Filter                                   | 1.000    | ST   |
| 15  | 6.343-162.0 | Lock washer -25                          | 2.000    | ST   |
| 16  | 2.889-086.0 | Set wheel cap                            | 2.000    | ST   |
| 17  | 2.640-492.0 | Set water connection 1 "                 | 1.000    | ST   |